

▲ DEAMCO'S anticipates your needs in automated equipment engineering through an on-going research and development effort. This allows DEAMCO to have systems ready for you when required.

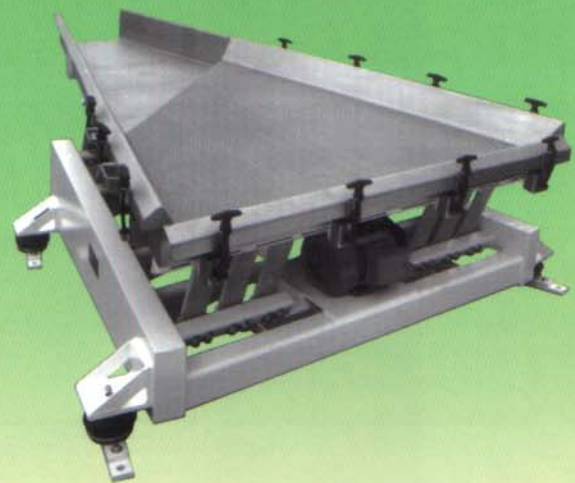
## deamco's research and development

**CONSTANT RESEARCH AND DEVELOPMENT TO FILL THE GAP BETWEEN PROCESSING AND PACKAGING**

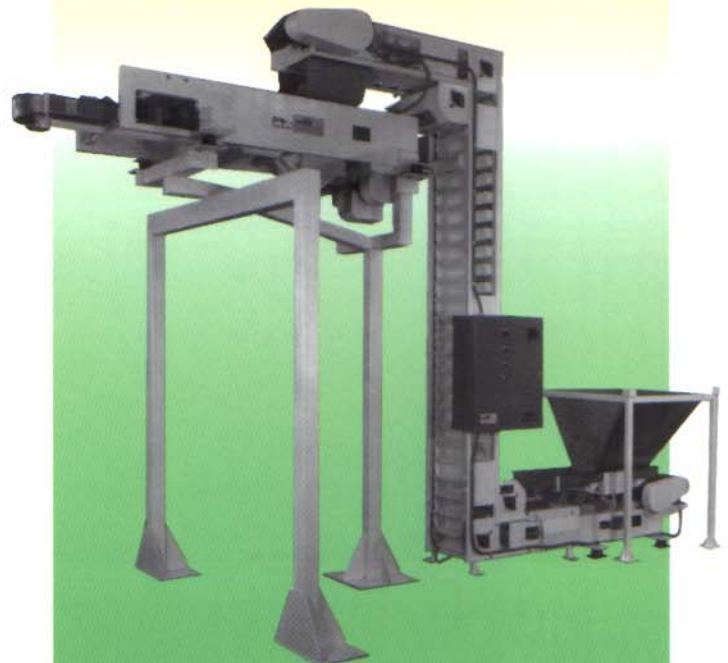


**store-a-veyor  
& trace-a-veyor  
system**

**THE STORE-A-VEYOR SYSTEM  
PROCESSES A VARIETY OF PRODUCTS**



**DEAMCO Vibratory Conveyor/Feeder  
with Removable Screen**



**DEAMCO Single Automated Infeed System  
to Package Machines**

